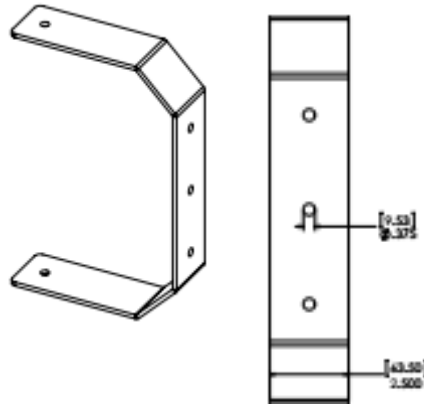


MOUNTING BRACKETS



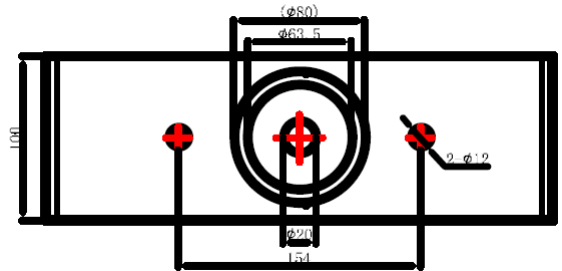
Standard U-Bracket



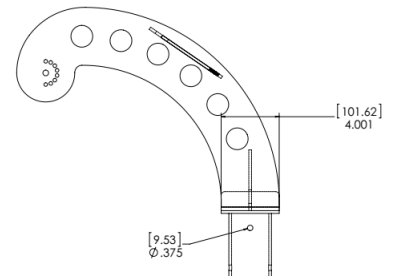
There are four mounting options. 1) **Standard** U-Bracket made of high tensile strength aluminum rated for sustained winds of 75mph and gusts of 90mph. Can be directly mounted onto cross-arms, trees, and poles. The fixture has a 300° range arc within the bracket (up and down). When secured with a single ½-inch bolt through the center hole, the lamp can be rotated 360°. When secured with side bolts, fixture rotation is fixed.



2) **Optional Slip-Fitter** bracket mounts on a 2¾ inch talon (bullhorn) and provides maximum directional flexibility with full 360° rotation and 180° movement up and down. The bracket is made of high tensile strength steel and is rated for sustained winds of 150mph. The center hole accommodates standard wiring. Brackets come with powder-coated weather-resistant finish using non-conductive polymers.



3) **Optional Slip-Fitter 270° x 360° locking** bracket mounts on a 2¾ inch talon (bullhorn) in vertical or horizontal orientation. The bracket is made of high tensile strength steel and is rated for sustained winds of 150mph. The center hole accommodates standard wiring. Brackets come with powder-coated weather-resistant finish using non-conductive polymers.



**28 Church Street, Unit 11
Warwick, NY 10990
(201) 784-1233**