

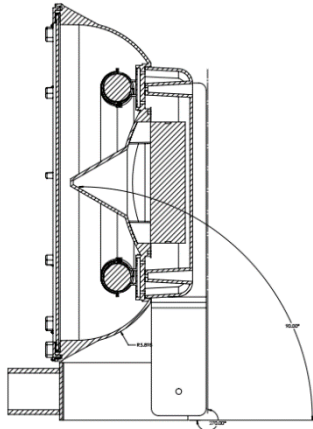


SNOW-BRIGHT™

SNBT-FL-300WB2



- Snow-Bright™ **LUMENTEC®** tuned spectrum
- Color Rendition Index (CRI) > .95
- 100,000 hour life cycle
- 110V ~ 277V auto-sensing ballast
- Optional 310V ~ 520V ballast available
- Instant strike/re-strike
- Nano-reflector technology
- **VARI-BEAM®** focus technology
- Powder-coated all-weather aluminum
- IP65 rated WF2 anti-corrosion grade
- 150mph wind resistance



The Snow-Bright™ 300-Watt round floodlight is ideal for all types of slopes, tubing parks, cross-country trails, snowmobiling tracks, beginner areas, and even parking lots. The unique full spectrum full diffusion lamp is capable of replacing 1000W high pressure sodium and metal halide fixtures for energy savings of up to 85%. Unique Vari-Beam® technology allows changing the focal length to provide precision cut-off and minimal light pollution. Mercury is a solid encapsulated amalgam that makes Snow-Bright™ environmentally friendly and safe. No special handling is required. No hazardous material disposal is necessary.



Snow-Bright™ light actually reflects internally within snow crystals to provide stunning resolution with very low energy consumption. Instant strike means never having to wait for a warm-up or cool-down. The SNBT-FL-300WB2 will not disturb nocturnal wildlife such as owls and moose. Equally important, it is a neighbor-friendly fixture that can be focused away from surrounding buildings and homes. Snow-Bright™ lights are not affected by temperature.

Contact: (201) 784-1233 x 100 (office)

info@teslalightingco.com

28 Church Street, Unit 11, Warwick, NY 10990



TECHNICAL SPECIFICATIONS

MODEL	SNBT-FL-300WB2
RATED WATTAGE	300W
VOLTAGE RANGE	120V~277V ± 15%
Optional	310V~520V ± 15%
CURRENT	2.625A~1.137A
Optional	1.016A~0.6057A
FREQUENCY	50/60Hz
POWER FACTOR	0.98
IN-RUSH CURRENT	NEGLIGIBLE
RFI PART 15/18	SHIELDED
NOISE	<20dB
TYPE	MAGNETIC INDUCTION
COLOR RENDITION INDEX	> .95
COLOR TEMPERATURE	~6500K UV TRUNCATED
CERTIFICATIONS	UL/UL-C/CCC/CE/FC/RoHS/CB
B.U.G. RATING	0/0/<110
DARK SKY	COMPLIANT G(0)
UL-C	WET LOCATION
TEMPERATURE RANGE	-30°F ~ +140°F
RATING	IP65 WF2 ANTI-CORROSION
FINISH	WF2 ANTI-CORROSION
REFLECTOR	FULL-DIFFUSION NANO-PARTICLE
WIND RATING U-BRACKET	75mph ~ 100mph gust
WIND RATING SLIP-FITTER	110mph ~ 150mph gust
LUMENS PER WATT	95LPW~105LPW
VISUALLY EFFECTIVE LUMENS	277/W

FEATURES	MH	HPS	LED	Snow-Bright™	Other MIL
100,000 hour lifecycle (11 yrs @ 24hrs/365 days)	No	No	No	YES	Yes
Up to 85% energy savings	< 30%	None	Some	YES	Some
LUMENEC ® Technology	No	No	No	YES	No
Proprietary VARI-BEAM ® Reflector Geometry	No	No	No	YES	No
Instant strike - no warm up or cool down	No	No	Yes	YES	Yes
Full Spectrum with CRI > .95	Few	No	No	YES	Some
Color Temperatures > 6,500K	Rare	No	Rare	YES	Some
Exceptionally high power factor > .95	No	No	Some	YES	Some
Negligible "In-Rush" current	No	No	No	YES	YES
Unparalleled Warranty 5 years 50K hrs	No	No	Some	YES	Some
Fully recyclable, no special disposal	No	No	No	YES	Yes
Lease Financing Available	No	No	No	YES	No

